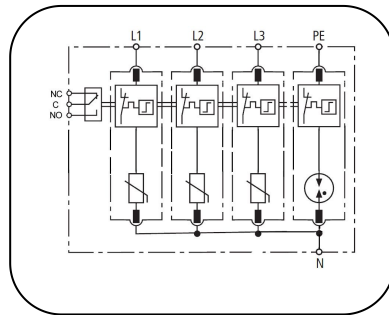
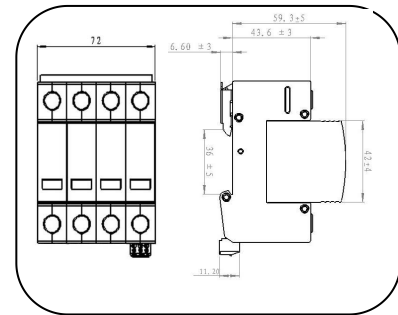


SURGE ARRESTERS – CLASS II

SPxxx/3PN(-S)



Basic circuit diagram



Dimension drawing



Surge arrester for low-voltage power supply system protection against surges at the boundaries from lightning protection zone 1-2 and higher.

Type		SPxxx/3PN (-S)					
		150	180	275	320	385	420
In accordance with		IEC61643-11:2011; UL1449 3 rd					
Category IEC/VDE		II/ C					
Max. continuous operating voltage (V)	L – N (AC/DC)	150 /200	180 /230	275 /350	320 /420	385 /505	420 /560
	N-PE AC	255 ¹ /150 ²	255 ¹ /150 ²	255	255	255	255
Nominal discharge current(8/20) In	L-N	20kA					
	N-PE	20kA					
Max. discharge current(8/20) I _{max}	L-N	40kA ¹ /50kA ²	40kA ¹ /50kA ²	40kA ¹ /50kA ²	40kA ¹ /50kA ²	40kA ¹ /50kA ²	40kA ¹ /50kA ²
	N-PE	40kA ¹ /50kA ²	40kA ¹ /50kA ²	40kA ¹ /50kA ²	40kA ¹ /50kA ²	40kA ¹ /50kA ²	40kA ¹ /50kA ²
Voltage protection level	L-N @In	<0.8kV	<1.0kV	<1.4kV	<1.5kV	<1.8kV	<2.0kV
	L-N @VPR	<0.6kV	<0.7kV	<0.9kV	<1.0kV	<1.4kV	<1.5kV
	L-N @MLV	<1.7kV	<1.8kV	<2.1kV	<2.2kV	<2.3kV	<2.4kV
	N-PE @MLV	<1.2kV	<1.2kV	<1.7kV	<1.7kV	<1.7kV	<1.7kV
	N-PE@(1.2/50)	<1.5kV	<1.5kV	<1.5kV	<1.5kV	<1.5kV	<1.5kV
Response time	L-N	≤25 ns					
	N-PE	≤100 ns					
Follow current	L-N	No					
	N-PE	Ifi: 100Arms @ 255Vac					
Backup fuse(only required if not already provided in mains)		125A gL/gG					
Operating temperature range		- 40°C ~ + 80°C					
Cross-section of connection wire		Single-strand 35mm ² ; multi-strand 25mm ²					
Mounting		35mm DIN-rail in accordance with EN 50022/DIN46277-3					
Enclosure material		thermoplastic; extinguishing degree UL94 V-0					
Degree of protection		IP20					
Installation width		4 modules, DIN 43880					
Thermal disconnecter		Internal green – normal ; red - failure					
Remote alarm contact		Optional					
SCCR		200kA	200kA	200kA	200kA	200kA	200kA
Approvals, Certifications		KEMA/ UL/CE	UL/CE	KEMA/ UL/CE	KEMA/ UL/CE	KEMA/ CE	UL/CE

Additional data for Remote Alarm Contacts

Remote alarm contact type	Isolated Form C	
Switching capability Un/In	AC: 250V/0.5A	DC: 250V/0.1A; 125V/0.2A; 75V/0.5A
Max. Size of connecting wire	Max. 1.5mm ² (or # 16AWG)	

xx¹: for KEMA Certifications ; xx²: for UL/CE Approvals